

REV LTR	DESCRIPTION	DATE	APPVD.
-	Orig., this release incorporates XE642S-A00 Rev E, XE642S-L00 Rev E & XE642S-N00 Rev D	5/15/23	MLG

**XE642S SERIES**  
**( XE642S-A00, XE642S-L00, XE642S-N00 )**

**HC/ACMOS OSCILLATORS**  
**FOR SPACE & HI-REL APPLICATIONS**  
**450 KHz to 125 MHz**

( 7 x 9 mm, Gull Wing Leads, SMD, 2.5V, 3.3V & 5.0V )

( Refer to Page 5 for Alternate Models with Reduced Screening & QCI )

REV STATUS OF SHEETS	REV																
	SHEET NO.	1	2	3	4	5	6	7	8	9	10	11	12	13	14	15	16
<b>APPROVALS</b>	<b>DATE</b>	<b>XSIS ELECTRONICS, INC.</b>															
PREP. N. Gupta	5/15/23	12620 W. 63 <sup>rd</sup> Street, Shawnee, KS 66216 USA															
ENG. M. Gupta	5/15/23	<b>XE642S SERIES HC/ACMOS</b> <b>"S" LEVEL OSCILLATORS</b>															
Q. A. S. Gupta	5/15/23	<b>FSC NO.</b> 57051							<b>DWG. NO.</b> <b>XE642S</b>								
CUST. ENG.		<b>SCALE</b> N/A							<b>SHEET</b> 1 OF 9								
CUST Q A.																	

1. SCOPE:

XE642S Series, HC/ACMOS, high reliability hybrid microcircuit crystal oscillators are designed, produced and tested by Xsis Electronics, Inc. as MIL-PRF-55310, Class "S" equivalent devices for use in high reliability industrial, military, avionics and space applications. These devices are of hybrid microcircuit technology conforming to MIL-PRF-55310, Type 1, Class 2 oscillators.

1.1 ALTERNATE MODELS: Models XE642E, XE642B and XE642P, with reduced QCI and/or reduced screening and shorter lead times are also offered as explained on page 5.

2. APPLICABLE DOCUMENTS:

MIL-PRF-55310F Oscillator, Crystal Controlled, General Specifications for  
MIL-PRF-38534K Hybrid Microcircuits, General Specifications for  
MIL-STD-883L Test Methods and Procedures for Microelectronics

3. REQUIREMENTS:

3.1 General: The individual item requirements shall be as specified herein.

3.2 Package: Ceramic, 90% Min. AL<sub>2</sub>O<sub>3</sub>, Weight 0.60 g Max., Thermal Resistance,  $\theta_{JC}$ : 28°C / Watt.

3.2.1 Lead finish: 50 to 70 micro-inches gold over 100 to 250 micro-inches nickel. Hot Solder tinning with Sn63/Pb37 solder per MIL-PRF-55310 is optional at an additional cost.

3.2.2 Reflow Soldering: Reflow soldering at 260°C for 10 seconds shall not degrade the performance.

3.3 Hermeticity: Resistance welded, hermetically sealed, leak rate of  $1 \times (10)^{-8}$  atm-cc/s Max.

3.4 Marking: As a minimum, the parts shall be marked with Xsis P/N, ESD symbol, date code and serial number.

3.5 Absolute Maximum Ratings: Unless otherwise specified, absolute maximum ratings shall be as follows:

Supply Voltage	See Table I
Operating Free-Air Temperature Range	-55°C to +125°C
Storage Temperature	-55°C to +125°C

3.6 Electrical Characteristics: See Table I

3.6.1 Total Dose Radiation: The Hybrid Microcircuit Crystal Oscillators shall be capable of meeting the electrical characteristics of Para. 3.6 after being exposed to total ionizing dose radiation of 100 krad as per MIL-STD-883, method 1019.

3.7 Hybrid Elements:

3.7.1 Quartz Crystals: A high-grade cultured quartz crystal shall be used. As an option, Xsis will use premium Q swept quartz crystal at an additional charge, refer to part numbering example in paragraph 6 to specify swept quartz crystal. Crystal element evaluation shall be in accordance with MIL-PRF-55310.

3.7.2 Crystal Mounting: The Crystal element shall be mounted at 4 points in such a manner as to provide adequate ruggedness and performance under extreme environments specified herein.

3.7.3 Passive Elements: Established Reliability (ER) QPL components, failure level R minimum shall be used or element lot evaluation shall be as per MIL-PRF-55310, class S, or MIL-PRF-38534, Appendix C, Class K as applicable.

**XSIS ELECTRONICS, INC.**

**12620 W. 63<sup>rd</sup> St., Shawnee, KS 66216 USA**

Tel: 913-631-0448 e-mail: xsis@xsis.com website: www.xsis.com

**FSC NO.**

**57051**

**DWG. NO.**

**XE642S**

**REV**

**SCALE**

**N/A**

**SHEET**

**2 OF 9**

- 3.7.4 The Microcircuit die shall be from lots that have passed element evaluation per MIL-PRF-55310, Appendix B, Level S, except testing per Subgroup 5 is omitted. Subgroup 5 testing is circuit configuration dependent, therefore, it is more effectively performed at the oscillator level as explained in Paragraph 3.7.5.
- 3.7.5 For Output Frequencies up to 70 MHz for 2.5V parts, and up to 90 MHz for 3.3V & 5.0V parts, the microcircuit die shall be from NSC/FC 54ACT family. For higher output frequencies, the microcircuit die shall be from 0.8  $\mu\text{m}$  BiCMOS Si family. The Microcircuit die shall be from wafer lots that have been successfully tested in the oscillator for ionizing radiation up to 100 krad. Xsis Electronics has also performed SET & SEL testing on both types of microcircuit die stated above. Both die are SEL immune for LET of up to 95 Mev-cm<sup>2</sup>/mg. Test reports are available on request.
- 3.7.6 Workmanship: Assembly, Rework and Process controls shall be in accordance with the requirements of MIL-PRF-55310 & MIL-PRF-38534 as applicable.
- 3.7.7 Lot Traceability: Production lot for these oscillators shall be homogenous. Each element used in the production lot shall be traceable to a single lot. Swept quartz shall be traceable to the quartz bar, and its applicable processing details.
- 3.7.8 Prohibited Materials: The following items shall not be used in these oscillators: Pure Tin (Sn >97%), Cadmium, Zinc, Mercury, Selenium, Silver as under plate, and Gold Plating without a nickel barrier.
- 3.7.9 Element Derating: All active and passive elements shall be derated in accordance with the applicable Hybrid microcircuit requirements of MIL-STD-975. Elements shall not operate in excess of derated values.
- 3.7.10 Material Outgassing: All materials shall meet a TML of 1% Max. and a CVCM of 0.1% Max., when tested in accordance with ASTM E595.
4. QUALITY ASSURANCE PROVISIONS: The quality assurance provisions shall be as specified herein.
- 4.1 100% Screening: The 100% screening shall be performed as per Table II. In addition, MIL-PRF-38534 Group B Option 1 in-line inspection for bond strength and die shear shall be performed at pre-seal inspection. PDA requirements for nondestructive bond pull and burn-in shall be as specified below.
- 4.2 PDA for Nondestruct Bond Pull: Unless otherwise specified, PDA shall be 2% of total number of wires or one wire, whichever is greater.
- 4.3 PDA for Burn-in: Unless otherwise specified, PDA for burn-in shall be 2% or one oscillator, whichever is greater, and shall be applicable to +23°C and/or +25°C static tests only. In addition, Delta Calculations shall be performed after Burn-in and shall count for PDA. All measured values for Delta Calculation shall be recorded. Parts that exceed the specified delta limits shall be rejected and be counted for PDA. Delta Calculations shall be performed at 2.5 VDC, 3.3 VDC or 5.0 VDC as applicable for the following parameters:
- |                   |                     |
|-------------------|---------------------|
| Input Current     | 10% change Maximum  |
| Output High Level | 10% change Maximum  |
| Output Low Level  | 0.1V change Maximum |
- 4.4 Group A inspection shall be in accordance with MIL-PRF-55310 for product level S.
- 4.5 Group B inspection (30 day aging) shall be in accordance with MIL-PRF-55310 for product level S. In order to expedite delivery, by customer request, the aging test can be ended after 15 days if the amount of frequency aging is less than 50% of the 30 day specification limit.
- 4.6 Oscillators shall be capable of meeting group C inspection per MIL-PRF-55310. Generic group C inspection data on similar parts may be used to satisfy this requirement. When specified by the Customer, Xsis Electronics will perform Group C testing at an additional charge.

<b>XSIS ELECTRONICS, INC.</b> 12620 W. 63 <sup>rd</sup> St., Shawnee, KS 66216 USA Tel: 913-631-0448 e-mail: xsis@xsis.com website: www.xsis.com	<b>FSC NO.</b> 57051	<b>DWG. NO.</b> <b>XE642S</b>	<b>REV</b>
	<b>SCALE</b> N/A	<b>SHEET</b> 3 OF 9	

4.7 Inspection and Test Data: Unless otherwise specified in the purchase order, the following Inspection and test data documentation shall be supplied with the parts.

( See Page 5 for the description of the Model Numbers other than XE642S )

**Model XE642S:**

Certificate of Conformance  
Summary of Screening Test Results per Table II  
PDA Calculations for Non-Destruct Bond Pull and Burn-in  
Summary of Elements Lot Traceability  
Electrical Tests before and after Burn-in  
Group A Inspection Summary  
Group B (30 day Aging) Data  
Radiographic Inspection Certificate

**Model XE642E:**

Certificate of Conformance  
Summary of Screening Test Results per Table III  
Summary of Elements Lot Traceability  
Group A Inspection Summary  
Radiographic Inspection Certificate

**Model XE642B:**

Certificate of Conformance  
Summary of Screening Test Results per Table III  
Group A Inspection Summary  
Radiographic Inspection is not applicable, unless required by the Purchase Order, at additional cost.

**Model XE642P:**

Certificate of Conformance

4.8 The following test and inspection options are available upon customer request, at additional cost.

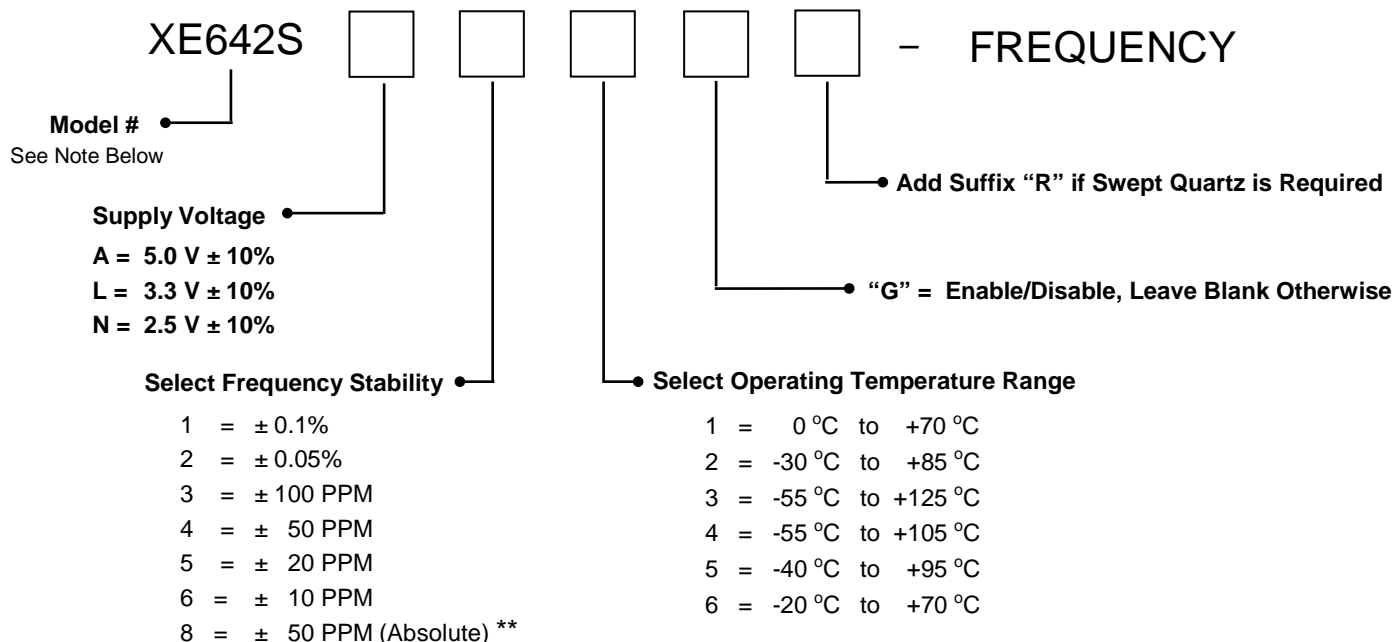
Customer Source Inspection for Pre-Cap and Final  
Group C Inspection per MIL-PRF-55310 on 4 or 8 units  
DPA (Destructive Physical Analysis)  
Life Test per MIL-STD-883, Method 1005, 1000 Hrs. at +125°C  
MIL-PRF-38534, Group B Inspection  
MIL-PRF-38534, Group C Inspection

5. PRESERVATION, PACKAGING AND PACKING:

The oscillators shall be clean, dry and packaged in a manner to provide adequate protection against electrostatic discharge, corrosion, deterioration and physical damage during shipment.

<b>XSIS ELECTRONICS, INC.</b> 12620 W. 63 <sup>rd</sup> St., Shawnee, KS 66216 USA Tel: 913-631-0448 e-mail: xsis@xis.com website: www.xsis.com	<b>FSC NO.</b> 57051	<b>DWG. NO.</b> <b>XE642S</b>	<b>REV</b>
	<b>SCALE</b> N/A	<b>SHEET</b> 4 OF 9	

6. PART NUMBERING EXAMPLE:



\*\* Option 8 provides ± 50 PPM frequency-temperature stability referenced to the specified nominal frequency including load & supply voltage variations of ± 10%.

( Frequency Stability Options 5 & 6 are not available for all Temperature Range Options )

**P/N Example: XE642S - L43 - 24.000 MHz = 24.000 MHz, 3.3V Oscillator, ± 50 PPM Frequency Stability over an operating temperature range of -55 °C to +125 °C.**

**NOTE:** Besides model XE642S, the following additional models are available for applications that can accommodate reduced level of screening and quality conformance inspection:

**XE642E: Model XE642E** uses the same design and elements as **Model XE642S** except as follows:

- 100% screening is as per Table III herein
- PDA for Burn-in is 10% or 1 unit whichever is greater
- Delta measurements of paragraph 4.3 are not applicable
- Group A inspection is as per MIL-PRF-55310, Class B
- Group B inspection (30 day aging ) per MIL-PRF-55310 is not applicable

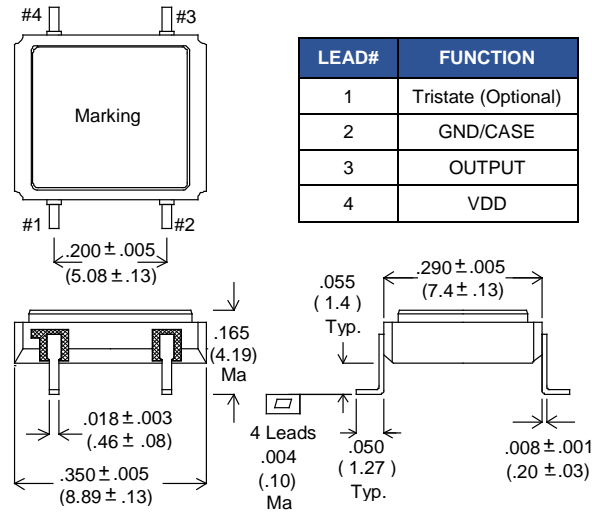
**XE642B: Model XE642B** is same as **Model XE642E** except as follows:

- Active and Passive Elements are as per MIL-PRF-55310, Class B. The Microcircuit die is the same as in Model XE642S but is not from a radiation tested wafer lot.
- Radiographic Inspection is not applicable, unless required by the Purchase Order at additional cost.

**XE642P: Model XE642P** is a form, fit and function equivalent prototype of **Model XE642S**.

- Prototypes may use commercial grade elements and are not screened.
- Quality Conformance inspection is not applicable

7. PACKAGE OUTLINE:



Dimensions: Inches (mm)

**Tristate Input:** A “Low” level at the input disables the Output into a high impedance state.

Tristate Input has internal pull-up, it can be left floating or connected to Vdd.

Figure 1 - Package Configuration & Pin Connections

**Table I - Electrical Characteristics**

Parameter	Spec. Limits		
	"N"	"L"	"A"
Frequency Range	450 KHz to 120 MHz	450 KHz to 125 MHz	450 KHz to 90 MHz
Input Voltage	+ 2.5 VDC ± 10%	+ 3.3 VDC ± 10%	+ 5 VDC ± 10%
Absolute Max. Applied Voltage	+ 5.0 VDC	+ 5.0 VDC	+ 7.0 VDC
Frequency Accuracy at 23°C	± 15 PPM Max.		
Frequency Stability vs. Temperature	See Options in Paragraph 6.0		
Operating Temperature Range	See Options in Paragraph 6.0		
Input Current ( no load )	2.5 mA Max. 450KHz - 5MHz 4 mA Max. 5MHz - 10MHz 6 mA Max. 10MHz - 20MHz 8 mA Max. 20MHz - 30MHz 12 mA Max. 30MHz - 40MHz 16 mA Max. 40MHz - 50MHz 25 mA Max. 50MHz - 70MHz 35 mA Max. 70MHz - 120MHz	3 mA Max. 450KHz - 5MHz 5 mA Max. 5MHz - 10MHz 8 mA Max. 10MHz - 20MHz 10 mA Max. 20MHz - 30MHz 15 mA Max. 30MHz - 40MHz 20 mA Max. 40MHz - 50MHz 35 mA Max. 50MHz - 125MHz	5 mA Max. 450KHz - 5MHz 10 mA Max. 5MHz - 10MHz 20 mA Max. 10MHz - 20MHz 25 mA Max. 20MHz - 30MHz 30 mA Max. 30MHz - 40MHz 35 mA Max. 40MHz - 50MHz 50 mA Max. 50MHz - 90MHz
Output Waveform	Square Wave, HC/ACMOS		
Output Duty Cycle ( at 50% Output Levels )	55/45% Max		
Output Load	10K    15 pF		
High Output Level	0.9 VDD Min.		
Low Output Level	0.1 VDD Max.		
Tristate ( Option G )	≥ 0.7 Vdd or Open:Normal Output, ≤ 0.3 Vdd:High Impedance	≥ 2.2 Vdd or Open:Normal Output, ≤ 0.8 Vdd High Impedance	
Rise & Fall Times ( at 10 to 90% Output Levels )	5 nS Max for Frequency ≤ 25.00 MHz 4 nS Max for Frequency 25.01 MHz to 45.00 MHz 3 nS Max. for Frequency > 45MHz		
Start-up Time	10 mS Max.		
Phase Jitter	0.3 pS rms typ, (10 KHz to 20 MHz Integrated)		
Frequency Stability Vs. Voltage	± 4 PPM Max for ± 10% change in Supply Voltage		
Frequency Aging @ 70°C	± 1.5 PPM Max. / 30 days, ± 5 PPM Max. First Year, ± 2.5 PPM Max. / Year thereafter		

*Contact Xsis Engineering for any other special requirements.*

<b>XSIS ELECTRONICS, INC.</b> 12620 W. 63 <sup>rd</sup> St., Shawnee, KS 66216 USA Tel: 913-631-0448 e-mail: xsis@xis.com website: www.xsis.com	FSC NO.	DWG. NO.	REV
	57051	<b>XE642S</b>	
	SCALE	SHEET	
	N/A	7 OF 9	

**Table II - Model XE642S Screening (100%)**

Test - Inspection	Test Method - Condition
Nondestructive Bond Pull	MIL-STD-883, Method 2023
Internal Visual	MIL-STD-883, Method 2017, Level S
Stabilization Bake ( Prior to Seal ) <u>1/</u>	MIL-STD-883, Method 1008, Condition C ( +150 °C ) 48 hours minimum
Random Vibration	MIL-STD-883, Method 2026, Condition I - B
Thermal Shock	MIL-STD-883, Method 1011, Condition A
Temperature Cycling	MIL-STD-883, Method 1010, Condition C
Constant Acceleration	MIL-STD-883, Method 2001, Condition A Y <sub>1</sub> axis only ( 5000 G )
Seal ( Fine and Gross Leak )	MIL-PRF-55310, Para. 4.8.2.2.3
Particle Impact Noise Detection ( PIND )	MIL-STD-883, Method 2020, Condition A
Radiographic Inspection	MIL-STD-883, Method 2012, Class S
Pre Burn-in Electrical Tests: Record as applicable	Refer to Table II-a below
Burn-in	+125 °C, Nominal Supply Voltage and Burn-in load 320 Hours Minimum
Post Burn-in Electrical Tests: Record as applicable	Refer to Table II-a below
External Visual	MIL-STD-883, Method 2009

1/ Vacuum bake and maintain oscillators in dry nitrogen per MIL-PRF-55310.

**Table II-a - Pre & Post Burn-in Electrical Tests**

Test Parameter	MIL-PRF-55310 Method	Pre BI 24 ± 1 °C	Post BI 24 ± 1 °C	Post BI Low Temp	Post BI High Temp
Input Current	4.8.5	✓	✓	✓	✓
Output Frequency	4.8.6	✓	✓	✓	✓
Frequency Vs. Temperature Stability	4.8.10.1	✓	✓	✓	✓
Frequency Vs. Supply Voltage	4.8.14	✓	✓	✓	✓
Output Voltage Levels	4.8.21.3	✓	✓	✓	✓
Output Rise & Fall Times	4.8.22	✓	✓	✓	✓
Output Duty Cycle	4.8.23	✓	✓	✓	✓
Start-up time	4.8.29	✓	✓	✓	✓
Tristate, if applicable	4.8.28	✓	✓	✓	✓

<b>XSIS ELECTRONICS, INC.</b> 12620 W. 63 <sup>rd</sup> St., Shawnee, KS 66216 USA Tel: 913-631-0448 e-mail: xsis@xsis.com website: www.xsis.com	<b>FSC NO.</b> 57051	<b>DWG. NO.</b> <b>XE642S</b>	<b>REV</b>
	<b>SCALE</b> N/A	<b>SHEET</b> 8 OF 9	



**Table III - Models XE642E & XE642B, Screening (100%)**

Test - Inspection	Test Method - Condition
Nondestructive Bond Pull	MIL-STD-883, Method 2023
Internal Visual	MIL-STD-883, Method 2017, Level B
Stabilization Bake ( Prior to Seal ) <u>1/</u>	MIL-STD-883, Method 1008, Condition C ( +150°C ) 24 hours minimum
Temperature Cycling	MIL-STD-883, Method 1010, Condition B
Constant Acceleration	MIL-STD-883, Method 2001, Condition A Y <sub>1</sub> axis only ( 5000 G )
Seal ( Fine and Gross Leak )	MIL-PRF-55310, Para. 4.8.2.2.2
Particle Impact Noise Detection ( PIND )	MIL-STD-883, Method 2020, Condition A
Radiographic Inspection ( <b>Model XE642E Only</b> ) <u>2/</u>	MIL-STD-883, Method 2012, Class S
Pre Burn-in Electrical Tests: Record as applicable	Refer to Table III-a below
Burn-in	+125 °C, Nominal Supply Voltage and Burn-in load 160 Hours Minimum
Post Burn-in Electrical Tests: Record as applicable	Refer to Table III-a below
External Visual	MIL-STD-883, Method 2009

1/ Vacuum bake and maintain oscillators in dry nitrogen per MIL-PRF-55310

2/ Radiographic Inspection is applicable to Model XE642E only

**Table III-a - Pre & Post Burn-in Electrical Tests**

Test Parameter	MIL-PRF-55310 Method	Pre BI 24 ± 1 °C	Post BI 24 ± 1 °C	Post BI Low Temp	Post BI High Temp
Input Current	4.8.5	✓	✓	✓	✓
Output Frequency	4.8.6	✓	✓	✓	✓
Frequency Vs. Temperature Stability	4.8.10.1	✓	✓	✓	✓
Frequency Vs. Supply Voltage	4.8.14	✓	✓	✓	✓
Output Voltage Levels	4.8.21.3	✓	✓	✓	✓
Output Rise & Fall Times	4.8.22	✓	✓	✓	✓
Output Duty Cycle	4.8.23	✓	✓	✓	✓
Start-up time	4.8.29	✓	✓	✓	✓
Tristate, if applicable	4.8.28	✓	✓	✓	✓

**XSIS ELECTRONICS, INC.**  
**12620 W. 63<sup>rd</sup> St., Shawnee, KS 66216 USA**  
 Tel: 913-631-0448 e-mail: xsis@xsis.com website: www.xsis.com

**FSC NO.**  
**57051**

**DWG. NO.**  
**XE642S**

**REV**

**SCALE** N/A

**SHEET** 9 OF 9