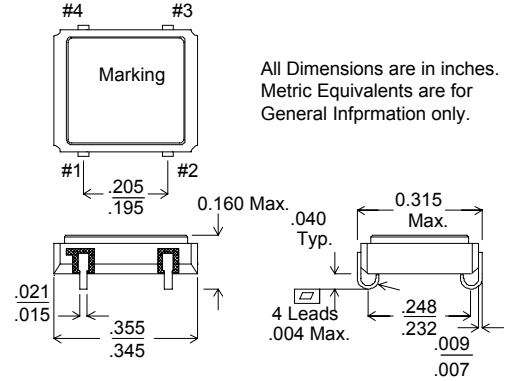




XE40 - 200 SERIES (HC/ACMOS), 5.0 VDC SURFACE MOUNT "J" LEAD PACKAGE

(Similar to M55310/33)

Frequency Range	450 KHz to 100 MHz
Frequency Accuracy @ + 25 °C	± 15 PPM
Frequency Stability Vs. Temperature	See Options Below
Operating Temperature Range	See Options Below
Input Voltage	+ 5 VDC ± 10%
Input Current @ +5.0 VDC	
450 KHz to 5.0 MHz	10 mA Max.
5.1 MHz to 20.0 MHz	20 mA Max.
20.1 MHz to 40.0 MHz	30 mA Max.
40.1 MHz to 60.0 MHz	40 mA Max.
60.1 MHz to 100.0 MHz	60 mA Max.



All Dimensions are in inches. Metric Equivalents are for General Information only.

Output	HC/ACMOS
Load	10 KΩ in parallel with 15 pf
Symmetry: @ 50% Output Level	
< 40 MHz	55/45% Max
≥ 40 MHz	60/40% Max.

Pad #	Function
1	E/D (Optional)
2	GND/CASE
3	OUTPUT
4	V _{DD}

Rise & Fall Times (10% to 90% Level)	
< 40 MHz	6 nS Max.
≥ 40 MHz	3 nS Max.

Inches		mm	
.345	.355	8.76	9.02
-	.315	-	8.00
.232	.248	5.89	6.30
.195	.205	4.95	5.21
-	.160	-	4.06
-	.040	-	1.02
.015	.021	.38	.53
.007	.009	.18	.23
-	.004	-	.10

Enable/Disable See Options Below

Start-Up Time 5 mS Max.

Phase Jitter (10 KHz to 20 MHz Integrated) 0.15 pS rms Typical

Frequency Stability Vs. 10% change in Voltage ± 4 PPM Max.

Aging @ +25 °C ± 3 PPM Max. first year, ± 2 PPM Max./ Yr. thereafter

Package, Seal & Lead Finish Conforms to the Requirements of MIL-PRF-55310

Contact Xsis Engineering for any other special requirements.

ORDERING INFORMATION (Select from options below) :



Frequency Stability

- 1 = ± 0.1%
- 2 = ± 0.05%
- 3 = ± 100 PPM
- 4 = ± 50 PPM
- 5 = ± 20 PPM*
- 6 = ± 10 PPM*

*Options 5 and 6 are not available for all operating temperature range options

Operating Temperature Range

- 1 = 0 °C to + 70 °C
- 2 = - 40 °C to + 85 °C
- 3 = - 55 °C to +125 °C
- 4 = - 55 °C to +105 °C
- 5 = - 40 °C to + 95 °C
- 6 = - 20 °C to + 70 °C

M = Mil-Screening, Leave Blank Otherwise.

G = Enable/Disable, Leave Blank Otherwise

Enable/Disable Input: A "low" level at the input disables the output to a HI-Z state. Enable/disable input has internal pull-up.

EXAMPLE: XE40 - 243G - M - 24.000 MHz = HC/ACMOS Output, with Enable/ Disable Option, ± 50 PPM over -55 °C to +125 °C, Mil - Screened , 24.000 MHz